

Industrial Tank Heaters

EE Series
Hazardous Location
Single Phase

1500-5000 Watts



EE Model without thermostat



EE Model assembled with thermostat

Engine Displacement	Model Number without Thermostat	Model Number with Thermostat see chart 1	Volt	Watt	Phase	Amp
500cid or less 8.2L or less	EE115100-000	EE1151XX-000	120	1500	1	12.5
	EE115800-000	EE1158XX-000	208	1500	1	7.2
	EE115200-000	EE1152XX-000	240	1500	1	6.3
	EE115700-000	EE1157XX-000	277	1500	1	5.4
	EE115300-000	EE1153XX-000	380	1500	1	3.9
	EE115400-000	EE1154XX-000	480	1500	1	3.1
EE115500-000	EE1155XX-000	575	1500	1	2.6	
500 - 600cid 8.2 - 9.8L	EE120100-000	EE1201XX-000	120	2000	1	16.7
	EE120800-000	EE1208XX-000	208	2000	1	9.6
	EE120200-000	EE1202XX-000	240	2000	1	8.3
	EE120300-000	EE1203XX-000	380	2000	1	5.3
	EE120400-000	EE1204XX-000	480	2000	1	4.2
	EE120500-000	EE1205XX-000	575	2000	1	3.5
600 - 800cid 9.8 - 13.1L	EE125100-000	EE1251XX-000	120	2500	1	20.8
	EE125800-000	EE1258XX-000	208	2500	1	12.0
	EE125200-000	EE1252XX-000	240	2500	1	10.4
	EE125700-000	EE1257XX-000	277	2500	1	9.2
	EE125300-000	EE1253XX-000	380	2500	1	6.6
	EE125400-000	EE1254XX-000	480	2500	1	5.2
EE125500-000	EE1255XX-000	575	2500	1	4.3	
800 - 1000cid 13.1 - 16.4L	EE130100-000	EE1301XX-000	120	3000	1	25.0
	EE130800-000	EE1308XX-000	208	3000	1	14.4
	EE130200-000	EE1302XX-000	240	3000	1	12.5
	EE130700-000	EE1307XX-000	277	3000	1	10.8
	EE130300-000	EE1303XX-000	380	3000	1	7.9
	EE130400-000	EE1304XX-000	480	3000	1	6.3
EE130500-000	EE1305XX-000	575	3000	1	5.2	
1000 - 1350cid 16.4 - 22.1L	EE140800-000	EE1408XX-000	208	4000	1	19.2
	EE140200-000	EE1402XX-000	240	4000	1	16.7
	EE140700-000	EE1407XX-000	277	4000	1	14.4
	EE140300-000	EE1403XX-000	380	4000	1	10.5
	EE140400-000	EE1404XX-000	480	4000	1	8.3
	EE140500-000	EE1405XX-000	575	4000	1	7.0
1350 - 1650cid 22.1 - 27.0L	EE150800-000	EE1508XX-000	208	5000	1	24.0
	EE150200-000	EE1502XX-000	240	5000	1	20.8
	EE150700-000	EE1507XX-000	277	5000	1	18.1
	EE150300-000	EE1503XX-000	380	5000	1	13.2
	EE150400-000	EE1504XX-000	480	5000	1	10.4
	EE150500-000	EE1505XX-000	575	5000	1	8.7

CHART 1

Heaters with Thermostats

To specify temperature range of thermostat, insert numerical code from chart in place of the XX in model number.

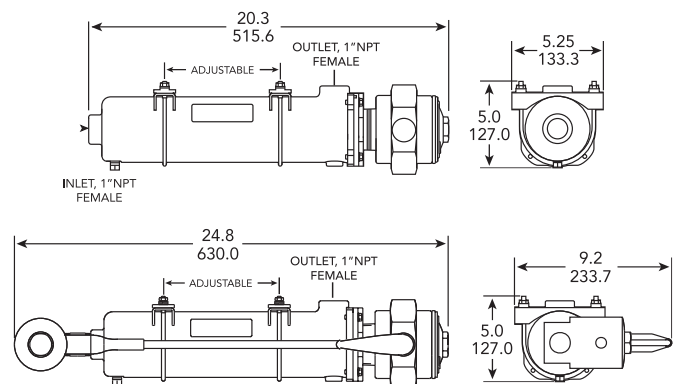
Example:

Desired Temp. Range: 100° - 120°F
Model Number: EE1302XX-000
Order as: EE130210-000

Temperature Range		Numerical Code
ON	OFF	
80°F (27C)	100°F (38C)	08
100°F (38C)	120°F (49C)	10
120°F (49C)	140°F (60C)	12
Adjustable 90° - 130°F (32° - 54°C)		A3

All 3 phase heaters with thermostat must use a control box. See Control Systems page 30

EE Model



Model Number w/o Thermostat	Model Number w/ Thermostat see chart 2	Replacement Parts						
		Element	MI Cable	Tank	Flange	Flange O-ring	Mounting Brackets	Check Valve
EE115100-000	EE1151XX-000	REEE1151	PRP104202-024	RTL	RF-L	TML-OR	FK7	RV-M
EE115800-000	EE1158XX-000	REEE1158	PRP104202-024	RTL	RF-L	TML-OR	FK7	RV-M
EE115200-000	EE1152XX-000	REEE1152	PRP104202-024	RTL	RF-L	TML-OR	FK7	RV-M
EE115700-000	EE1157XX-000	REEE1157	PRP104202-024	RTL	RF-L	TML-OR	FK7	RV-M
EE115300-000	EE1153XX-000	E01531E-50NA-00	PRP104202-024	RTL	RF-L	TML-OR	FK7	RV-M
EE115400-000	EE1154XX-000	E01541E-50NA-00	PRP104202-024	RTL	RF-L	TML-OR	FK7	RV-M
EE115500-000	EE1155XX-000	E01551E-50NA-00	PRP104202-024	RTL	RF-L	TML-OR	FK7	RV-M
EE120100-000	EE1201XX-000	REEE1201	PRP104202-024	RTL	RF-L	TML-OR	FK7	RV-M
EE120800-000	EE1208XX-000	REEE1208	PRP104202-024	RTL	RF-L	TML-OR	FK7	RV-M
EE120200-000	EE1202XX-000	REEE1202	PRP104202-024	RTL	RF-L	TML-OR	FK7	RV-M
EE120300-000	EE1203XX-000	E02031E-50NA-00	PRP104202-024	RTL	RF-L	TML-OR	FK7	RV-M
EE120400-000	EE1204XX-000	E02041E-50NA-00	PRP104202-024	RTL	RF-L	TML-OR	FK7	RV-M
EE120500-000	EE1205XX-000	E02051E-50NA-00	PRP104202-024	RTL	RF-L	TML-OR	FK7	RV-M
EE125100-000	EE1251XX-000	REEE1251	PRP104202-024	RTL	RF-L	TML-OR	FK7	RV-M
EE125800-000	EE1258XX-000	REEE1258	PRP104202-024	RTL	RF-L	TML-OR	FK7	RV-M
EE125200-000	EE1252XX-000	REEE1252	PRP104202-024	RTL	RF-L	TML-OR	FK7	RV-M
EE125700-000	EE1257XX-000	REEE1257	PRP104202-024	RTL	RF-L	TML-OR	FK7	RV-M
EE125300-000	EE1253XX-000	E02531E-CONA-00	PRP104202-024	RTL	RF-L	TML-OR	FK7	RV-M
EE125400-000	EE1254XX-000	E02541E-CONA-00	PRP104202-024	RTL	RF-L	TML-OR	FK7	RV-M
EE125500-000	EE1255XX-000	E02551E-CONA-00	PRP104202-024	RTL	RF-L	TML-OR	FK7	RV-M
EE130100-000	EE1301XX-000	REEE1301	PRP104202-024	RTL	RF-L	TML-OR	FK7	RV-M
EE130800-000	EE1308XX-000	REEE1308	PRP104202-024	RTL	RF-L	TML-OR	FK7	RV-M
EE130200-000	EE1302XX-000	REEE1302	PRP104202-024	RTL	RF-L	TML-OR	FK7	RV-M
EE130700-000	EE1307XX-000	REEE1307	PRP104202-024	RTL	RF-L	TML-OR	FK7	RV-M
EE130300-000	EE1303XX-000	E03031E-50NA-00	PRP104202-024	RTL	RF-L	TML-OR	FK7	RV-M
EE130400-000	EE1304XX-000	E03041E-50NA-00	PRP104202-024	RTL	RF-L	TML-OR	FK7	RV-M
EE130500-000	EE1305XX-000	E03051E-50NA-00	PRP104202-024	RTL	RF-L	TML-OR	FK7	RV-M
EE140800-000	EE1408XX-000	REEE1408	PRP104202-024	RTL	RF-L	TML-OR	FK7	RV-M
EE140200-000	EE1402XX-000	REEE1402	PRP104202-024	RTL	RF-L	TML-OR	FK7	RV-M
EE140700-000	EE1407XX-000	REEE1407	PRP104202-024	RTL	RF-L	TML-OR	FK7	RV-M
EE140300-000	EE1403XX-000	E04031E-50NA-00	PRP104202-024	RTL	RF-L	TML-OR	FK7	RV-M
EE140400-000	EE1404XX-000	E04041E-50NA-00	PRP104202-024	RTL	RF-L	TML-OR	FK7	RV-M
EE140500-000	EE1405XX-000	E04051E-50NA-00	PRP104202-024	RTL	RF-L	TML-OR	FK7	RV-M
EE150800-000	EE1508XX-000	E05081E-50NA-00	PRP104202-024	RTL	RF-L	TML-OR	FK7	RV-M
EE150200-000	EE1502XX-000	E05021E-50NA-00	PRP104202-024	RTL	RF-L	TML-OR	FK7	RV-M
EE150700-000	EE1507XX-000	E05071E-CONA-00	PRP104202-024	RTL	RF-L	TML-OR	FK7	RV-M
EE150300-000	EE1503XX-000	E05031E-CONA-00	PRP104202-024	RTL	RF-L	TML-OR	FK7	RV-M
EE150400-000	EE1504XX-000	E05041E-CONA-00	PRP104202-024	RTL	RF-L	TML-OR	FK7	RV-M
EE150500-000	EE1505XX-000	E05051E-CONA-00	PRP104202-024	RTL	RF-L	TML-OR	FK7	RV-M

Replacement Parts

For tank-style heaters
EE Series

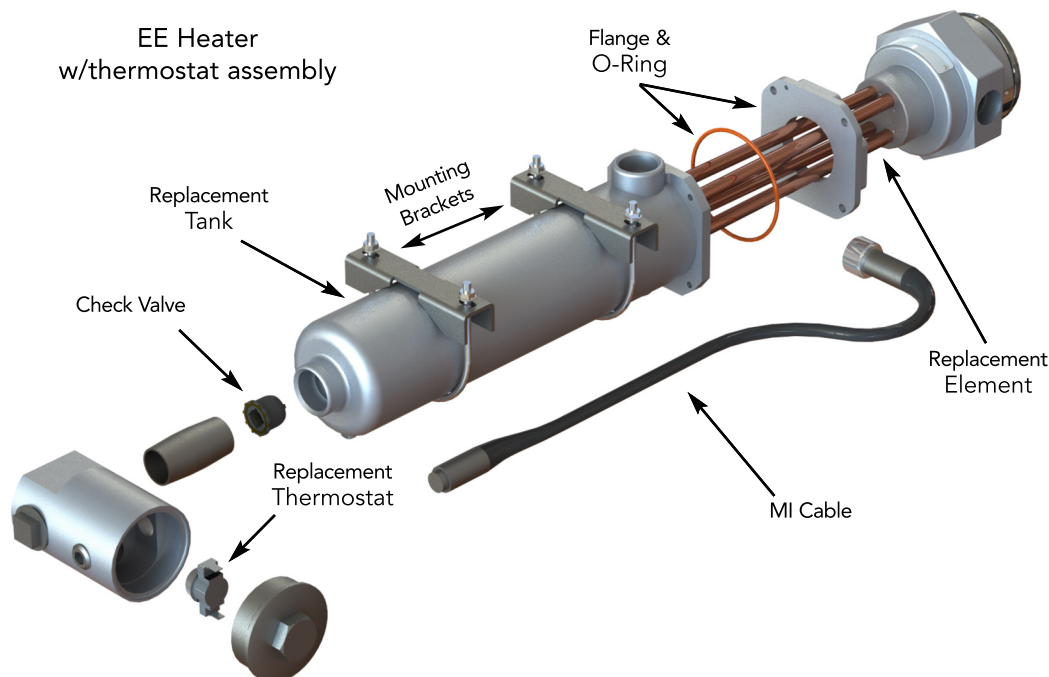
CHART 2

Heaters with Thermostats

Temperature Range		Sensing Unit
ON	OFF	
80°F (27C)	100°F (38C)	RSU8
100°F (38C)	120°F (49C)	RSU10
120°F (49C)	140°F (60C)	RSU12

Example:

Model Number: EE130210-000
T-Stat Replacement: RSU10



ADAPTER FITTINGS

For the use of .75" or 1" ID heater hose, hose barb adapters are available. See below.

HB-1	1" NPT to 1" hose barb adapter. Installs in 1" NPT female inlet or outlet of the heater.
HB-3/4	1" NPT to .75" hose barb adapter. Installs in 1" NPT female inlet or outlet of the heater.

Industrial Tank Heaters

EE Series
Hazardous Location
Three Phase

1500-5000 Watts



EE Model without thermostat



EE Model assembled with thermostat

Engine Displacement	Model Number without Thermostat	Model Number with Thermostat see chart 1	Volt	Watts	Phase	Amp
500cid or less 8.2L or less	EE315800-000	EE3158XX-000	208	1500	3	4.2
	EE315200-000	EE3152XX-000	240	1500	3	3.6
	EE315400-000	EE3154XX-000	480	1500	3	1.8
500 - 600cid 8.2 - 9.8L	EE320800-000	EE3208XX-000	208	2000	3	5.6
	EE320200-000	EE3202XX-000	240	2000	3	4.8
	EE320300-000	EE3203XX-000	380	2000	3	3.0
	EE320400-000	EE3204XX-000	480	2000	3	2.4
	EE320500-000	EE3205XX-000	575	2000	3	2.0
600 - 800cid 9.8 - 13.1L	EE325800-000	EE3258XX-000	208	2500	3	6.9
	EE325200-000	EE3252XX-000	240	2500	3	6.0
	EE325300-000	EE3253XX-000	380	2500	3	3.8
	EE325400-000	EE3254XX-000	480	2500	3	3.0
	EE325500-000	EE3255XX-000	575	2500	3	2.5
800 - 1000cid 13.1 - 16.4L	EE330800-000	EE3308XX-000	208	3000	3	8.3
	EE330200-000	EE3302XX-000	240	3000	3	7.2
	EE330300-000	EE3303XX-000	380	3000	3	4.6
	EE330400-000	EE3304XX-000	480	3000	3	3.6
	EE330500-000	EE3305XX-000	575	3000	3	3.0
1000 - 1350cid 16.4 - 22.1L	EE340800-000	EE3408XX-000	208	4000	3	11.1
	EE340200-000	EE3402XX-000	240	4000	3	9.6
	EE340300-000	EE3403XX-000	380	4000	3	6.1
	EE340400-000	EE3404XX-000	480	4000	3	4.8
	EE340500-000	EE3405XX-000	575	4000	3	4.0
1350 - 1650cid 22.1 - 27.0L	EE350800-000	EE3508XX-000	208	5000	3	13.9
	EE350200-000	EE3502XX-000	240	5000	3	12.0
	EE350300-000	EE3503XX-000	380	5000	3	7.6
	EE350400-000	EE3504XX-000	480	5000	3	6.0
	EE350500-000	EE3505XX-000	575	5000	3	5.0

CHART 1

Heaters with Thermostats

To specify temperature range of thermostat, insert numerical code from chart in place of the XX in model number.

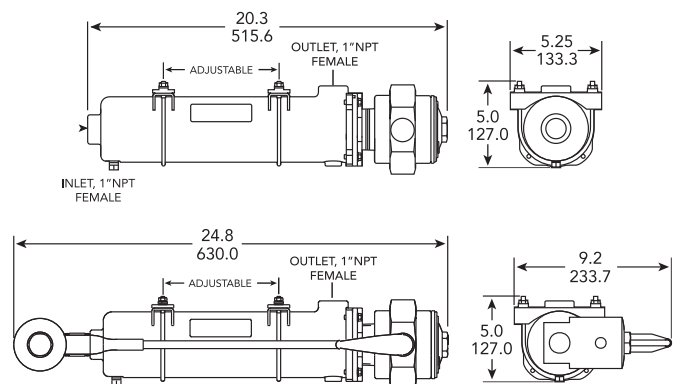
Example:

Desired Temp. Range: 100° - 120°F
Model Number: EE3302XX-000
Order as: EE330210-000

Temperature Range		Numerical Code
ON	OFF	
80°F (27C)	100°F (38C)	08
100°F (38C)	120°F (49C)	10
120°F (49C)	140°F (60C)	12
Adjustable 90° - 130°F (32° - 54°C)		A3

All 3 phase heaters with thermostat must use a control box. See Control Systems page 30

EE Model



Replacement Parts

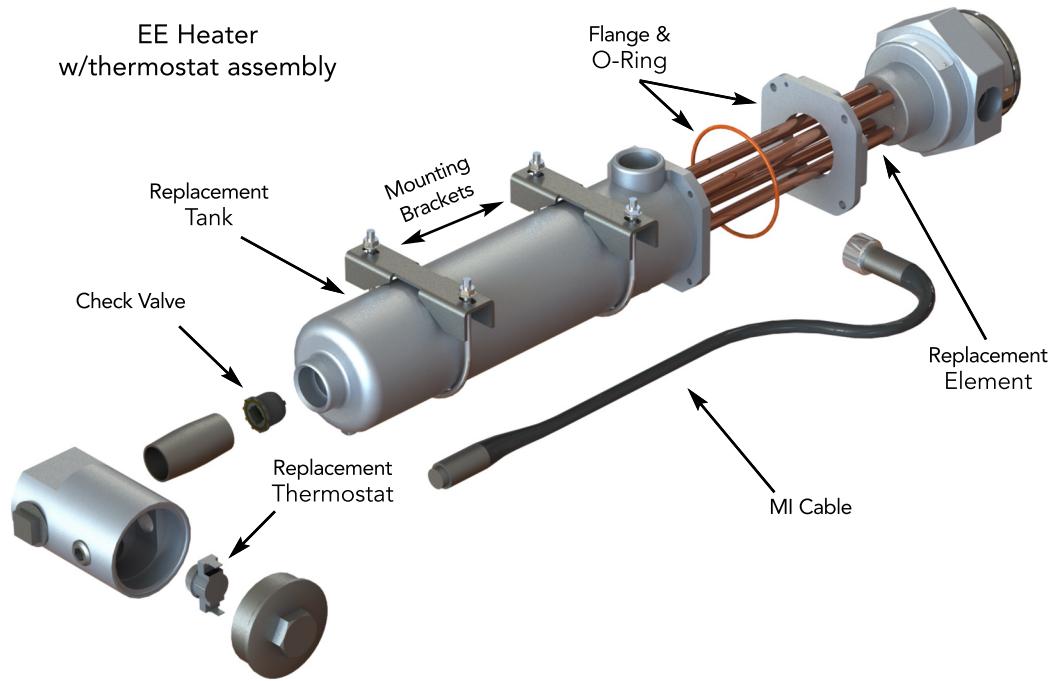
For tank-style heaters
EE Series

Model Number w/o Thermostat	Model Number w/ Thermostat see chart 2	Replacement Parts						
		Element	MI Cable	Tank	Flange	Flange O-ring	Mounting Brackets	Check Valve
EE315800-000 EE315200-000 EE315400-000	EE3158XX-000 EE3152XX-000 EE3154XX-000	E01583E-15NA-00 E01523E-15NA-00 E01543E-15NA-00	PRP104202-024 PRP104202-024 PRP104202-024	RTL RTL RTL	RF-L RF-L RF-L	TML-OR TML-OR TML-OR	FK7 FK7 FK7	RV-M RV-M RV-M
EE320800-000 EE320200-000 EE320300-000 EE320400-000 EE320500-000	EE3208XX-000 EE3202XX-000 EE3203XX-000 EE3204XX-000 EE3205XX-000	E02083E-25NA-00 E02023E-25NA-00 E02033E-25NA-00 E02043E-25NA-00 E02053E-25NA-00	PRP104202-024 PRP104202-024 PRP104202-024 PRP104202-024 PRP104202-024	RTL RTL RTL RTL RTL	RF-L RF-L RF-L RF-L RF-L	TML-OR TML-OR TML-OR TML-OR TML-OR	FK7 FK7 FK7 FK7 FK7	RV-M RV-M RV-M RV-M RV-M
EE325800-000 EE325200-000 EE325300-000 EE325400-000 EE325500-000	EE3258XX-000 EE3252XX-000 EE3253XX-000 EE3254XX-000 EE3255XX-000	E02583E-30NA-00 E02523E-30NA-00 E02533E-30NA-00 E02543E-30NA-00 E02553E-30NA-00	PRP104202-024 PRP104202-024 PRP104202-024 PRP104202-024 PRP104202-024	RTL RTL RTL RTL RTL	RF-L RF-L RF-L RF-L RF-L	TML-OR TML-OR TML-OR TML-OR TML-OR	FK7 FK7 FK7 FK7 FK7	RV-M RV-M RV-M RV-M RV-M
EE330800-000 EE330200-000 EE330300-000 EE330400-000 EE330500-000	EE3308XX-000 EE3302XX-000 EE3303XX-000 EE3304XX-000 EE3305XX-000	E03083E-30NA-00 E03023E-30NA-00 E03033E-30NA-00 E03043E-30NA-00 E03053E-30NA-00	PRP104202-024 PRP104202-024 PRP104202-024 PRP104202-024 PRP104202-024	RTL RTL RTL RTL RTL	RF-L RF-L RF-L RF-L RF-L	TML-OR TML-OR TML-OR TML-OR TML-OR	FK7 FK7 FK7 FK7 FK7	RV-M RV-M RV-M RV-M RV-M
EE340800-000 EE340200-000 EE340300-000 EE340400-000 EE340500-000	EE3408XX-000 EE3402XX-000 EE3403XX-000 EE3404XX-000 EE3405XX-000	E04083E-50NA-00 E04023E-50NA-00 E04033E-50NA-00 E04043E-50NA-00 E04053E-50NA-00	PRP104202-024 PRP104202-024 PRP104202-024 PRP104202-024 PRP104202-024	RTL RTL RTL RTL RTL	RF-L RF-L RF-L RF-L RF-L	TML-OR TML-OR TML-OR TML-OR TML-OR	FK7 FK7 FK7 FK7 FK7	RV-M RV-M RV-M RV-M RV-M
EE350800-000 EE350200-000 EE350300-000 EE350400-000 EE350500-000	EE3508XX-000 EE3502XX-000 EE3503XX-000 EE3504XX-000 EE3505XX-000	E05083E-50NA-00 E05023E-50NA-00 E05033E-50NA-00 E05043E-50NA-00 E05053E-50NA-00	PRP104202-024 PRP104202-024 PRP104202-024 PRP104202-024 PRP104202-024	RTL RTL RTL RTL RTL	RF-L RF-L RF-L RF-L RF-L	TML-OR TML-OR TML-OR TML-OR TML-OR	FK7 FK7 FK7 FK7 FK7	RV-M RV-M RV-M RV-M RV-M

CHART 2
Heaters with Thermostats

Temperature Range		Sensing Unit
ON	OFF	
80°F (27C)	100°F (38C)	RSU8
100°F (38C)	120°F (49C)	RSU10
120°F (49C)	140°F (60C)	RSU12

Example:
Model Number: EE330210-000
T-Stat Replacement: FSU10



ADAPTER FITTINGS

For the use of .75" or 1" ID heater hose, hose barb adapters are available. See below.

HB-1	1" NPT to 1" hose barb adapter. Installs in 1" NPT female inlet or outlet of the heater.
HB-3/4	1" NPT to .75" hose barb adapter. Installs in 1" NPT female inlet or outlet of the heater.